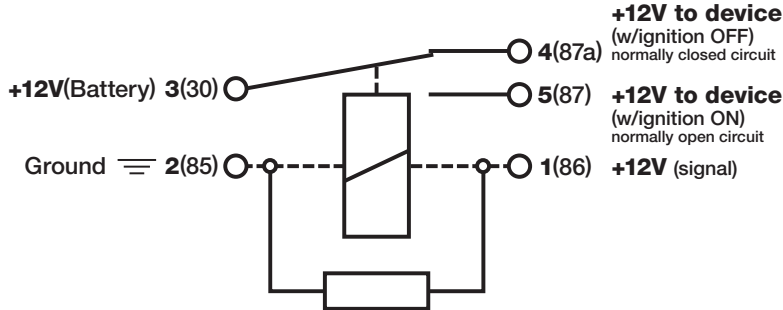
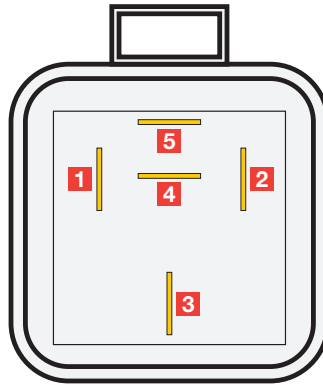


## Relay Schematic

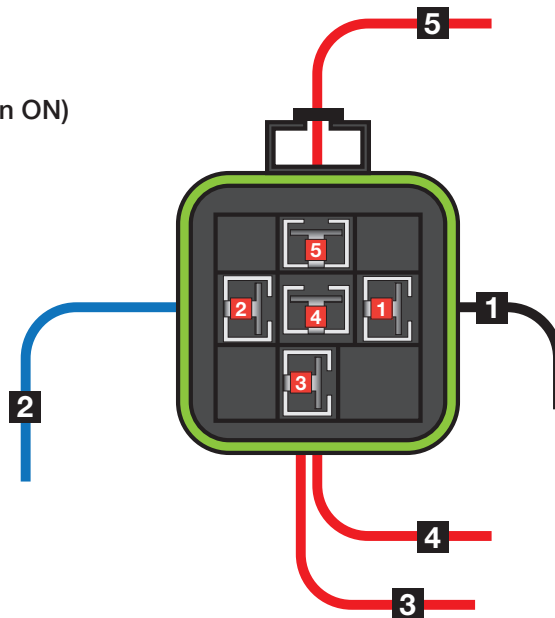


Contacts shown in relaxed (unpowered) position.

- 1** = Signal
- 2** = Ground
- 3** = +12V (Battery)
- 4** = +12V to device (with Ignition OFF)
- 5** = +12V (to device with Ignition ON)



**Pin View**



**Receptacle View**



If you need more assistance, we are only a phone call away.

**(770) 886-2500**

Monday-Friday  
8:30am-5:30pm EST

**GENO'S GARAGE, INC.**  
1150 Samples Industrial Drive  
Cumming, Georgia 30041